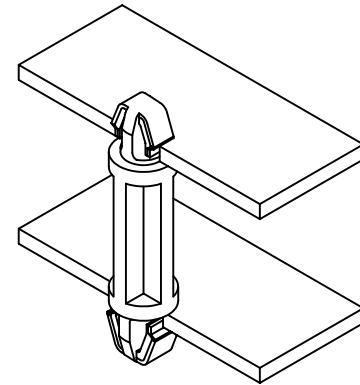
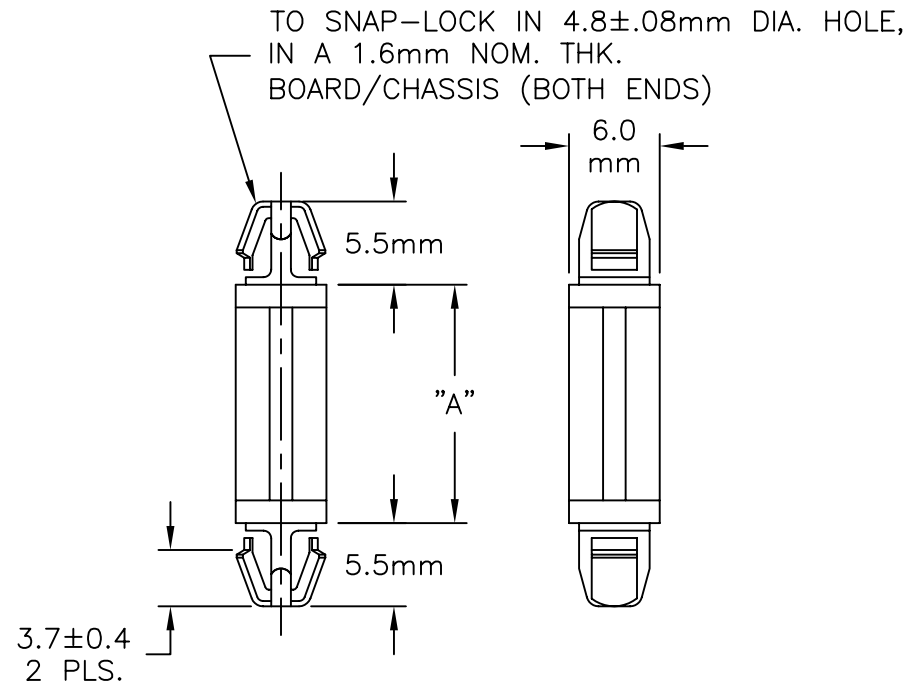


PART NO.	"A" ±0.4 mm
DLSP-2-3M-01	3.0 mm
DLSP-2-4M-01	4.0 mm
DLSP-2-6M-01	6.0 mm
DLSP-2-8M-01	8.0 mm
DLSP-2-10M-01	10.0 mm
DLSP-2-12M-01	12.0 mm
DLSP-2-14M-01	14.0 mm
DLSP-2-16M-01	16.0 mm
DLSP-2-18M-01	18.0 mm



- NOTES:
- MATERIAL: NYLON 6/6 (RMS-01).
FLAME RETARDANT, NYLON (RMS-19),
AVAILABLE BY SPECIAL ORDER ONLY.
 - COLOR: NATURAL.

<table border="1"> <tr> <td>E</td> <td>ADDED TOL. ±0.4 TO DIM. 3.7</td> <td>SM 05.28.02</td> </tr> <tr> <td>D</td> <td>CHANGED FILE NUMBER</td> <td>SM 05.10.01</td> </tr> <tr> <td>C</td> <td>Tol. ±.08 added to dim 4.8</td> <td>JL 4.3.00</td> </tr> <tr> <td>B</td> <td>NOTE 2 REMOVED; 2ND CHART ADDED; DIM SEE CHART ADDED; DIM .24 (6) ADDED</td> <td>PB 07.05.95</td> </tr> <tr> <td>A</td> <td>-01 ADDED TO P/N'S</td> <td>PB 11.09.94</td> </tr> <tr> <td>REV</td> <td>DESCRIPTION</td> <td>ENGR DATE</td> </tr> </table>			E	ADDED TOL. ±0.4 TO DIM. 3.7	SM 05.28.02	D	CHANGED FILE NUMBER	SM 05.10.01	C	Tol. ±.08 added to dim 4.8	JL 4.3.00	B	NOTE 2 REMOVED; 2ND CHART ADDED; DIM SEE CHART ADDED; DIM .24 (6) ADDED	PB 07.05.95	A	-01 ADDED TO P/N'S	PB 11.09.94	REV	DESCRIPTION	ENGR DATE	TITLE: DUAL LOCKING SUPPORT POST (METRIC), TYPE 2					DWG IN METRIC			
E	ADDED TOL. ±0.4 TO DIM. 3.7	SM 05.28.02																											
D	CHANGED FILE NUMBER	SM 05.10.01																											
C	Tol. ±.08 added to dim 4.8	JL 4.3.00																											
B	NOTE 2 REMOVED; 2ND CHART ADDED; DIM SEE CHART ADDED; DIM .24 (6) ADDED	PB 07.05.95																											
A	-01 ADDED TO P/N'S	PB 11.09.94																											
REV	DESCRIPTION	ENGR DATE																											
TOLERANCES UNLESS NOTED X.X=±0.25 X.XX=±0.13 FRAC=±1/64 ANG=±1°			FILE # DLSP-2		DWN: P.B.		APP:		FINAL																				
			MAT'L: SEE NOTES		DT: 10-04-94		DT:		PART #																				
			RE: RICHCO, INC.		RICHCO INC. PO BOX 804238, CHICAGO, 60680 (773) 539-4060		SEE TABLE		PRINT TYPE CA																				